

By:

**PE-RVIOUS EXIM INDIA PVT. LTD.**

145, GROUND FLOOR, POCKET-16, SECTOR-24, ROHINI, NEW DELHI-110085  
DROP IN US AT: [gascon.peipl@gmail.com](mailto:gascon.peipl@gmail.com)



By:

**PE-RVIOUS EXIM INDIA PVT. LTD.**

145, GROUND FLOOR, POCKET-16, SECTOR-24, ROHINI, NEW DELHI-110085  
DROP IN US AT: [gascon.peipl@gmail.com](mailto:gascon.peipl@gmail.com)

**Cable Tray & Accessories**  
All Types of cable tray and accessories are available



## About the Company



Employees are relentlessly trained in different aspects of safety issues and also on quality control aspects to handle the constantly changing environment and fulfilling the requirements of its clients. Have efficient after sales supports team to aid its clients in their newly acquired products.

## Slotted Angle Racks

We offer Two/Three tier storage racks. These are robustly built heavy duty racks used in various industries to store large quantities of good. These storage racks can be customized according to the client's needs. Quality is the tip most priority while manufacturing these two/three tier storage racks. These are available in variety of patterns and sizes to meet the demands of the clients.

- Optimum utilization the available space.
- Available with staircase and catwalk flooring
- Capacity to hold large number of goods.
- Available in various sizes and features.



A raised storage area, or tiered storage structure as it is a raised platform rack or shelf mounted structure independent of the host building structure

It is supported by either pallet racking or shelving to eliminate the need for a structural floor, It increases floor space and optimizes storage capacity by using the height of the building.

We offer a range of accessories which allows to adopt the floor to suit the requirement. These includes pallet gates, cat ladders, staircases, mezzanine conveyer, hand & knee rails etc.



## The Benefits of Cable Tray

Cable tray wiring systems offer significant advantage over conduit pipe and other wiring systems. Cable tray is less expensive, more reliable, more adaptable to changing needs and easier to maintain. In addition, its design does not contribute to potential safety problems associated with other wiring systems.

An evaluation of the costs and benefits of various wiring systems should be done in the design phase.

We manufacture different types of superior cable trays



### Aluminum Perforated Cable Trays

The most popular material for cable trays is aluminum, inherently corrosion - resistant, lightweight and easy to handle and cut in the field. We use copper-free aluminum alloys which can be installed indoors or outdoors.

### Hot dip Galvanized Perforated Cable Trays

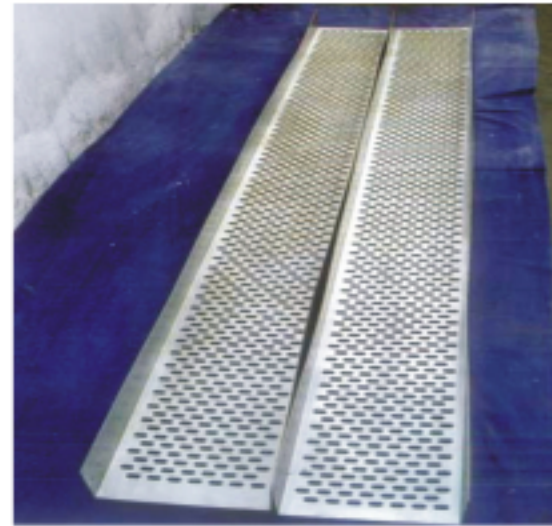
The most reliable way to protect steel by Hot Dip Galvanizing, after the cable tray is manufactured from commercial quality steel, it is dipped into a molten zinc bath. This ensures that all surfaces are coated with a heavy layer of metal providing excellent protection from the elements. Our Clients can avail from us hot dip galvanized cable tray widely used in electric and automotive industry, these have high mechanical all sizes, trenches, ducts in standards and primarily for outdoor application.





### Galvanized Perforated Cable Trays

Our range of galvanized cable trays are widely demanded in various industries. These galvanized cable trays are made with premium graded mild steel that is galvanized. Our perforated type's cable tray widely used in electrical and automotive industry. As per the client demand, we can offer our range in various specifications.



### Stainless Steel Cable Trays

We are engaged in manufacturing and supplying of stainless steel cable trays, inherently corrosion resistant but expensive, type 304 and 316 stainless are used in electrical and automotive industry our trays and accessories are perfect solution for hygienically sensitive environments.



### Trunking Cable Trays

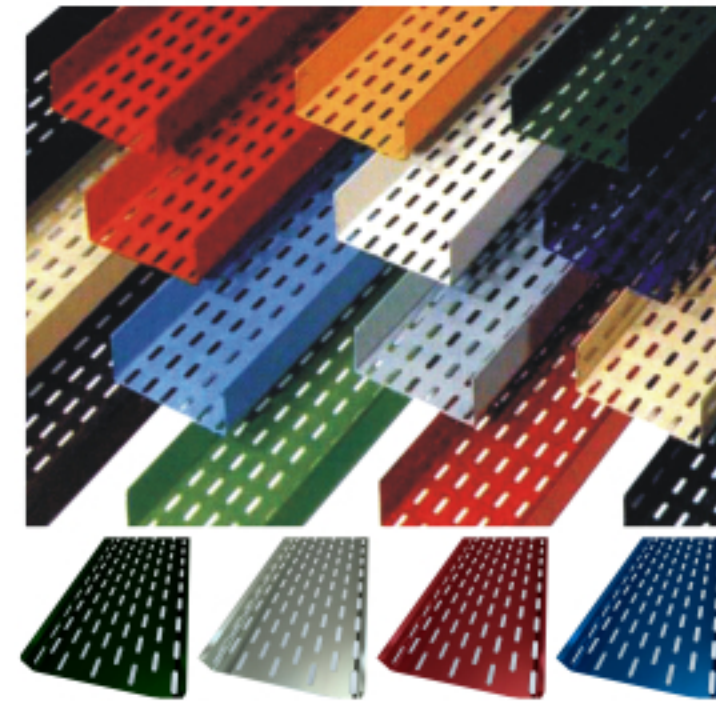
Trunking cable tray is simply a bridge-like structure that carries electrical and data cable. Trunking cable tray is available in a wide variety of materials and finishes designed to match location, load and esthetic requirements by using tray, all types of wiring can be installed in an efficient, manageable, cost effective and attractive manner.



### Ladder Cable Trays

Ladder Tray is a cable tray consisting of two longitudinal side members connected by individual transverse rungs, designed for use as power cable or control cable support. Ladder cable tray is widely used in Electrical and automobile industry.

We provided Ladder cable tray in all available materials. Ladder trays are the most commonly used type of tray and provide maximum ventilation.



### Powder Coated Cable Trays

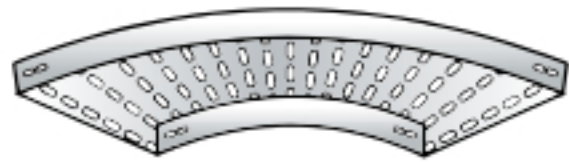
Powder coating is the technique of applying dry paint to a part for special finishes. All metallic cable trays can be finished by powder coating, PU/epoxy/Enamel- paints. We offer a supreme quality assortment of perforated and ladder powder coated cable trays to our esteemed patrons. These perforated cable trays are available in different sizes as per the specification of the customer we can offer customization for our range of perforated cable trays we offer our collection at affordable prices.

### Slotted Angle Racks

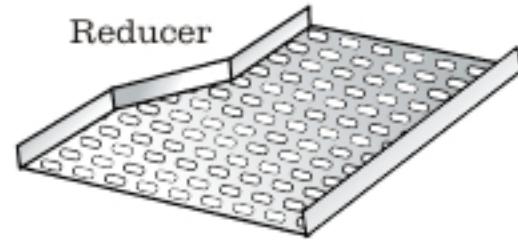




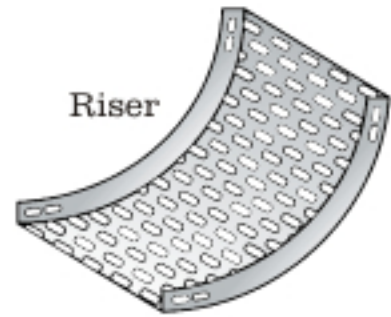
## Perforated Cable Tray Accessories



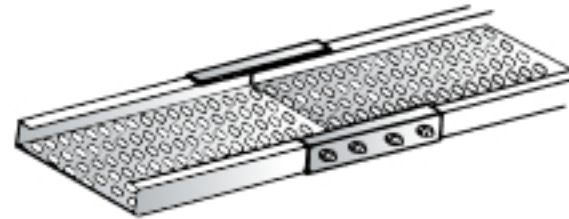
Bend



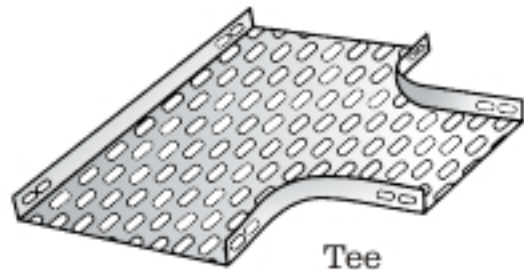
Reducer



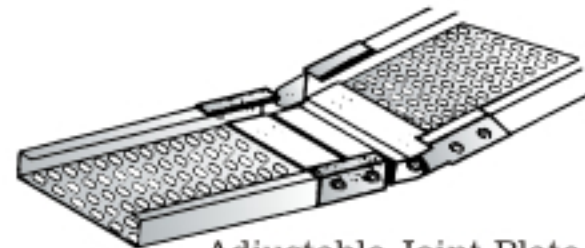
Riser



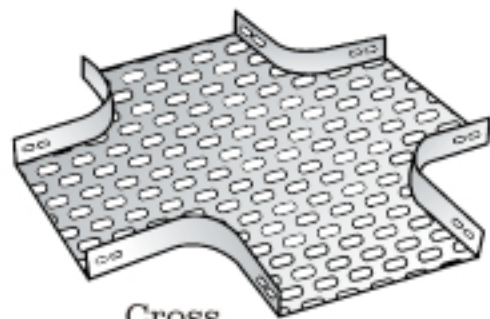
Straight Joint Coupler



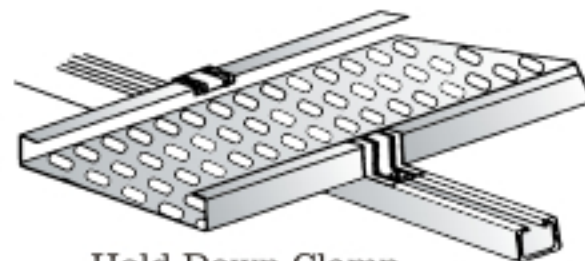
Tee



Adjustable Joint Plate



Cross

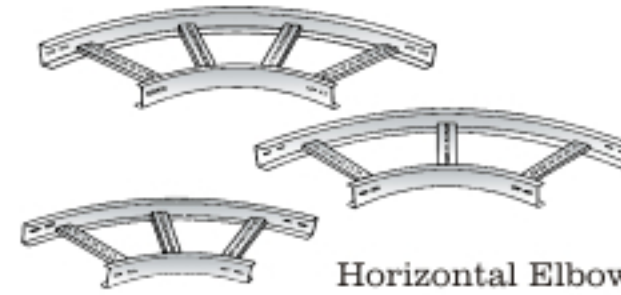


Hold Down Clamp

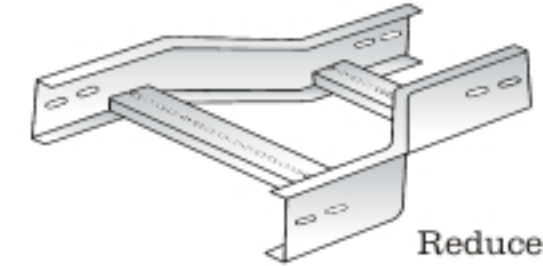
"All Width, Height, Thickness and Length are Available"



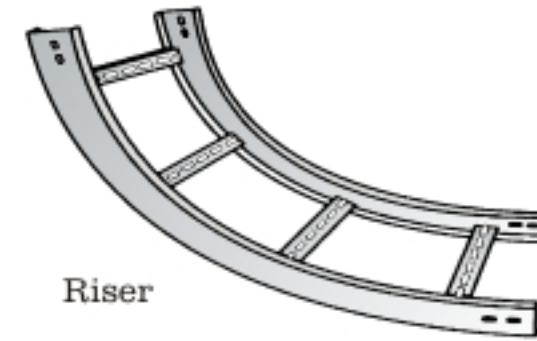
## Ladder Cable Tray Accessories



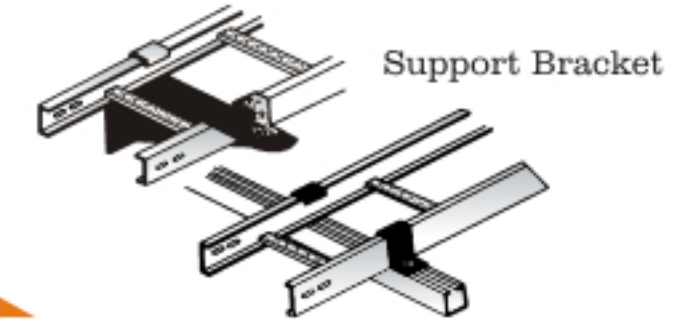
Horizontal Elbow



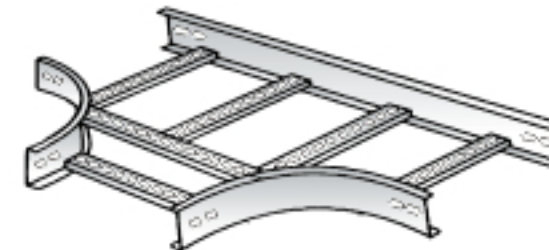
Reducer



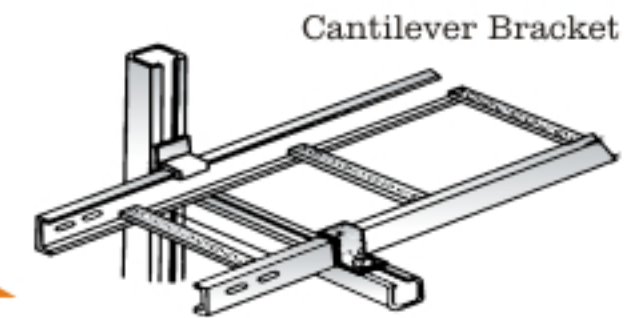
Riser



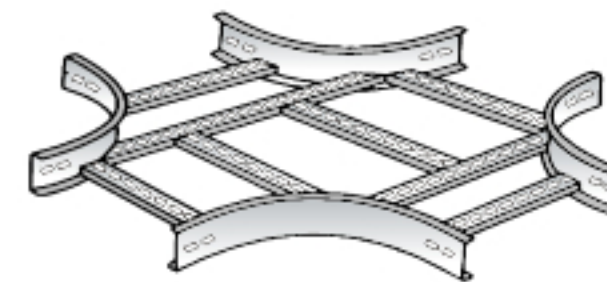
Support Bracket



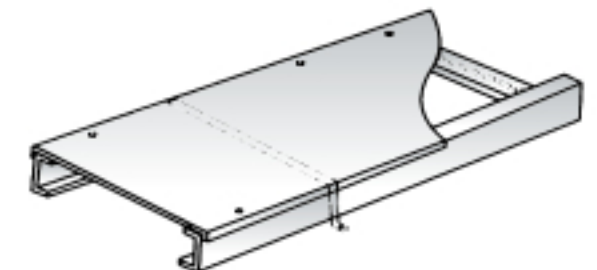
Horizontal Tee



Cantilever Bracket



Horizontal Cross



Ladder With Cover

"All Width, Height, Thickness and Length are Available"